

# LAUNCHING OF ENLARGED HYPER OMEGA

GO FOR VALUE : OPTIMISING DESIGN, PERFORMANCE AND COST

## HOM-1600H and HOM-1450H

Efficiency in performance; high in energy absorption and low in reaction load  
Economical in design catering to today's needs for large and new generation of container ships, liquid and bulk carrier

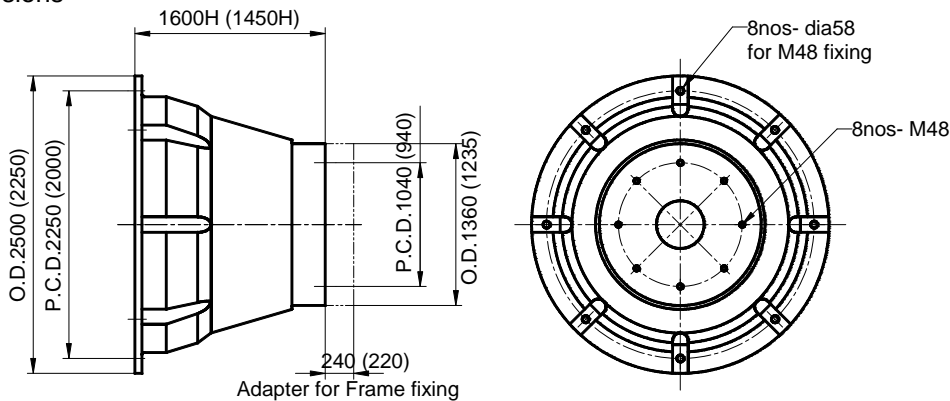
## Application Engineering

SRI Hybrid has over 40 years of expertise in delivering superiority in fender system  
Ability to propose the most suitable and cost effective fender system in tandem with engineering demands

## Best Quality from Factory in Japan

Invested in quality with new technology production facility in Kakogawa factory in 2007  
Production and quality control system that satisfy PIANC2002 requirements

### Principal Dimensions



### Performance Characteristics

Rubber Compound	X150				X140				X120				X100				X80			
	70.0%		72.5%		70.0%		72.5%		70.0%		72.5%		70.0%		72.5%		70.0%		72.5%	
Deflection	R	E	R	E	R	E	R	E	R	E	R	E	R	E	R	E	R	E	R	E
1600H	3,010	2,690	3,660	2,820	2,810	2,510	3,420	2,630	2,410	2,150	2,930	2,260	2,010	1,792	2,440	1,880	1,610	1,434	1,950	1,504
1450H	2,470	2,000	3,010	2,100	2,310	1,870	2,810	1,960	1,980	1,600	2,410	1,680	1,650	1,334	2,010	1,400	1,320	1,067	1,610	1,119
1300H	1,990	1,440	2,420	1,510	1,860	1,350	2,250	1,410	1,600	1,150	1,930	1,210	1,330	961	1,610	1,010	1,060	768	1,290	808
1150H	1,560	998	1,890	1,050	1,460	932	1,760	977	1,250	799	1,510	837	1,040	666	1,260	698	832	532	1,010	558
1000H	1,180	656	1,430	689	1,100	613	1,340	642	640	525	1,140	550	784	438	954	459	627	350	763	367
900H	953	479	1,160	502	889	446	1,082	469	762	382	927	402	635	319	773	335	508	255	618	268
800H	753	336	916	353	702	313	855	329	602	268	733	282	502	224	611	235	401	179	488	188
600H	423	142	515	149	394	132	481	138	338	113	412	119	282	94.5	344	99.2	225	75.0	275	79.0
400H	189	41.9	229	44.1	175	39.2	214	41.1	150	33.6	183	35.2	125	28.0	153	29.4	100	22.4	122	23.5

R: Reaction Load (kN) E: Energy Absorption (kN-m)  
70.0%: Rated Deflection 72.5%: Extreme Deflection  
Rubber grade range: from X60 to X155

### Contact

SRI Hybrid Limited, Civil Works & Marine Facilities Business Unit  
1-1-8, Nihonbashi-Kayabacho, Chuo-ku, 103-0025 Tokyo, Japan  
Email: civil@sri.dunlop.co.jp Tel +81.3.5614.8261 Fax +81.3.5614.8277